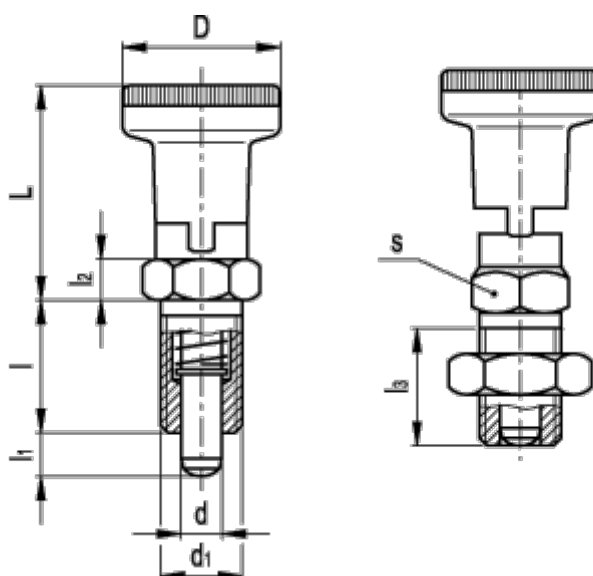


Article number: 2308051601

Description: E+G Technopolymer indexing plunger w/hold
PMT.101-5-M10x1-A

Measures



Code = PMT.101-5-M10x1-A

D = 21

d = 5

d1 = M10x1

l = 17

L = 29

l1 = 5

l2 = 5

l3 = 15

Max. axial load (N) = 17

s = 12